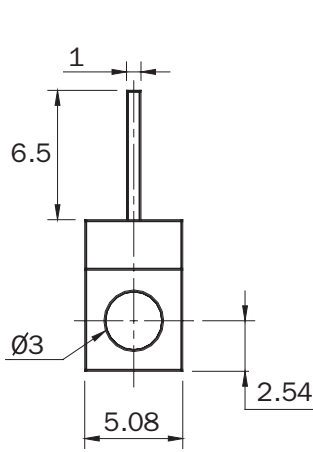
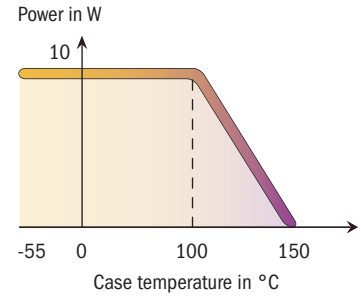




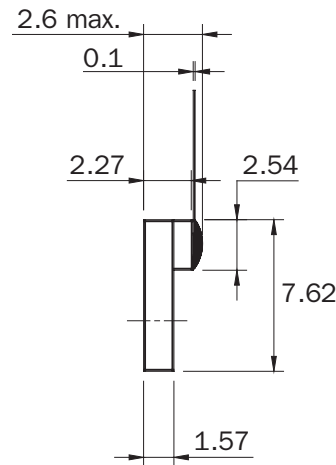
Standards
NF C 96-315
MIL-DTL-39030



Substrate	AIN
Resistive film	Thick film
Tab	Ag
Protection film	Epoxy
Mounting flange/Plating	Cu/Ni
Tab attachment	Brazed with epoxy encapsulation



17-0315



17-0426

Dimensions in mm

P/N	Frequency (GHz)	Power (W)	Impedance ($\Omega \pm 5\%$)	Max VSWR
17-0315	18	10	50	1.35
17-0426	18	10	50	1.35

mm	inch
0.1	0.004
1	0.039
1.57	0.074
2.27	0.089
2.54	0.100
2.60	0.102
3	0.118
5.08	0.146
6.5	0.256
7.62	0.300