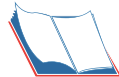
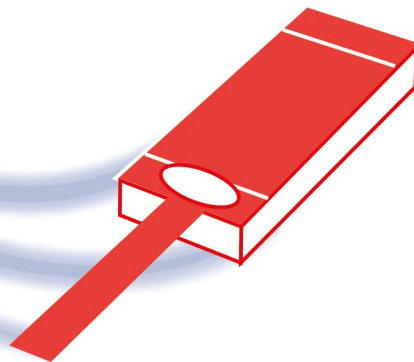


FLANGELESS TERMINATIONS



=> [Search by Part Number](#)



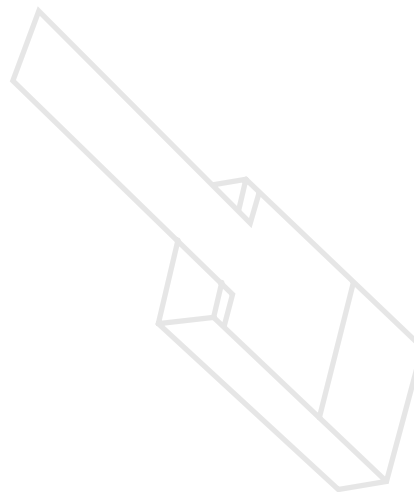
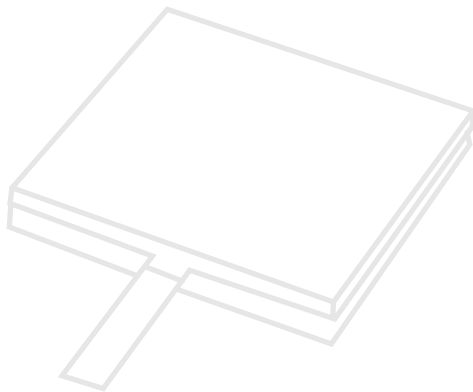


For Power Amplifiers, Couplers, Combiners & Isolators

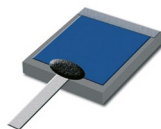
- ⇒ Easy soldering on PCB & base plate
- ⇒ Sizes 1010 to 125100
- ⇒ 5 W - 1650 W
- ⇒ Up to 12 GHz

Flangeless Terminations

5 W 12 GHz AlN	3	250 W 3 GHz BeO	14
10 W 12 GHz AlN	4	250 W 3 GHz BeO	15
10 W 4 GHz AlN	5	500 W 1 GHz BeO	16
25 W 4 GHz AlN	6	500 W 4 GHz BeO	17
30 - 60 W 4 GHz BeO	7	800 W 1 GHz BeO	18
60 W 4 GHz AlN	8	1000 W 2.45 GHz BeO	19
100 W 4 GHz AlN	9	1000 W 1 GHz BeO	20
100 W 5 GHz AlN	10	1350 W 1.5 GHz BeO	21
150 W 4 GHz AlN	11	1650 W 1.5 GHz BeO	22
150 W 2.5 GHz BeO	12	Search by Part Number	23
150 W 2.5 GHz BeO	13		



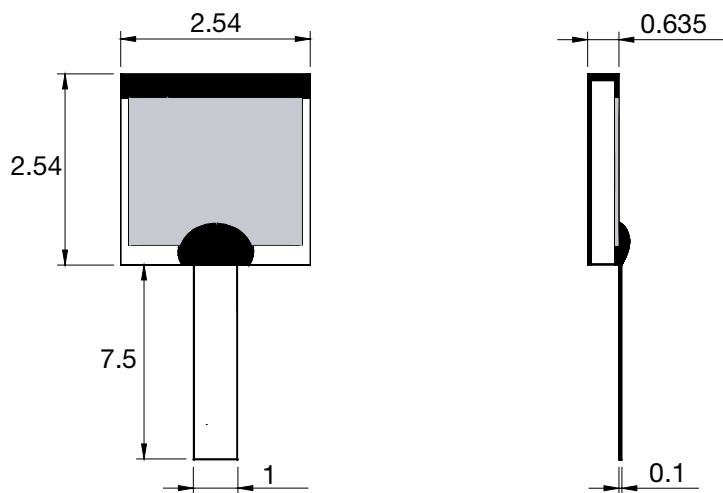
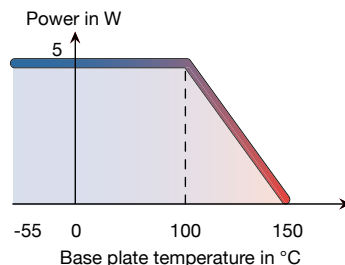
5 W 12 GHz AIN



Standards
NF C 96-315
MIL-DTL-39030



Substrate	AIN
Resistive film	Thick film
Protection film	Epoxy
Tab	Ag
Tab attachment	Brazed with epoxy encapsulation
Size	1010



Dimensions in mm

Flangeless Terminations



[Return to Search by Part Number](#)

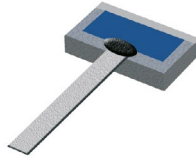
P/N	Frequency (GHz)	Power (W)	Impedance ($\Omega \pm 5\%$)	Max VSWR
17-0851	12	5	50	1.35

mm	inch
0.1	0.004
0.635	0.025
1	0.039
2.54	0.100
7.5	0.295

10 W 12 GHz AIN

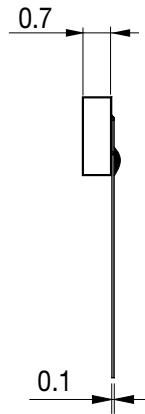
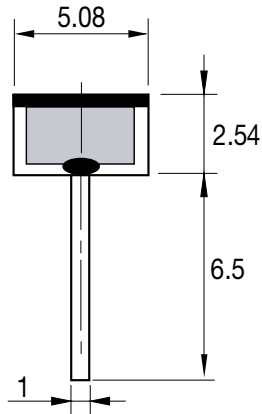
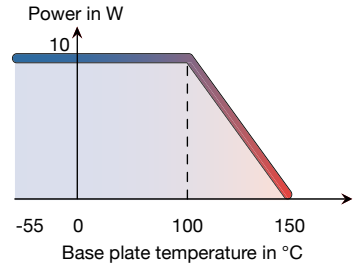


Standards
NF C 96-315
MIL-DTL-39030



Flangeless Terminations

Substrate	AIN
Resistive film	Thick film
Protection film	Epoxy
Tab	Ag
Mounting flange/plating	Ci/Zi
Tab attachment	Brazed with epoxy encapsulation
Size	2010



Dimensions in mm

[Return to Search by Part Number](#)

P/N	Frequency (GHz)	Power (W)	Impedance ($\Omega \pm 5\%$)	Max VSWR
17-0794	12	10	50	1.35

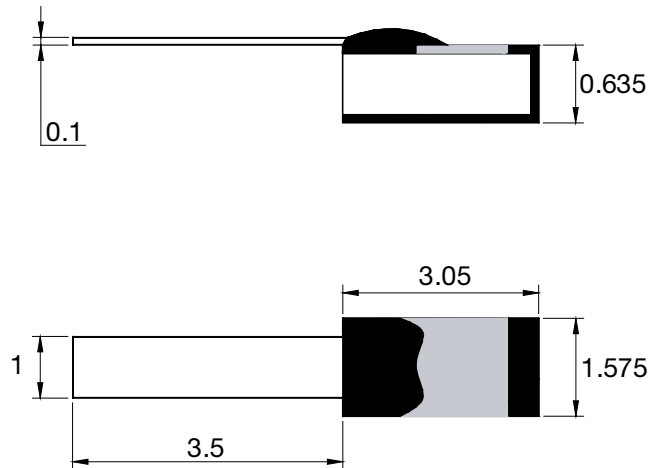
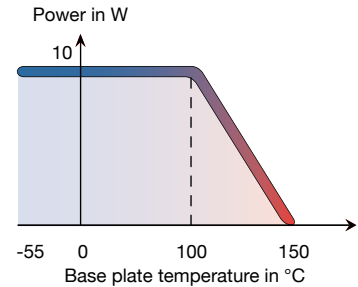
mm	inch
0.1	0.004
0.7	0.028
1	0.039
2.54	0.100
5.08	0.200
6.5	0.256

10 W 4 GHz AIN

Standards
NF C 96-315
MIL-DTL-39030



Substrate	AIN
Resistive film	Thick film
Protection film	Epoxy
Tab	Ag
Tab attachment	Brazed with epoxy encapsulation
Size	1206



Dimensions in mm

Flangeless Terminations



[Return to Search by Part Number](#)

P/N	Frequency (GHz)	Power (W)	Impedance ($\Omega \pm 5\%$)	Max VSWR
17-0384	4	10	50	1.20

mm	inch
0.1	0.004
0.635	0.025
1	0.039
1.575	0.062
3.05	0.120
3.5	0.138

25 W 4 GHz AIN

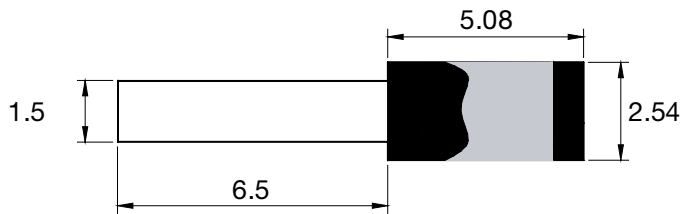
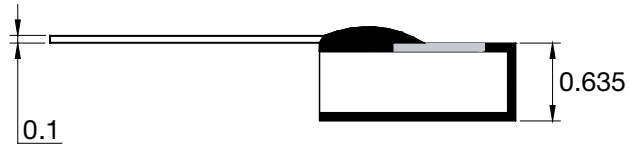
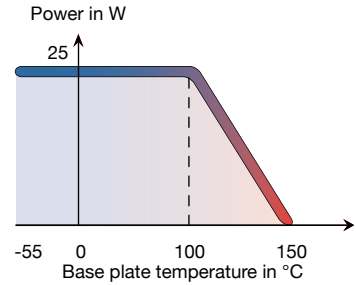


Standards
NF C 96-315
MIL-DTL-39030



Flangeless Terminations

Substrate	AIN
Resistive film	Thick film
Protection film	Epoxy
Tab	Ag
Tab attachment	Brazed with epoxy encapsulation
Size	2010



Dimensions in mm

[Return to Search by Part Number](#)

P/N	Frequency (GHz)	Power (W)	Impedance ($\Omega \pm 5\%$)	Max VSWR
17-0487	4	25	50	1.20

mm	inch
0.1	0.004
0.635	0.025
1.5	0.059
2.54	0.100
5.08	0.200
6.5	0.256

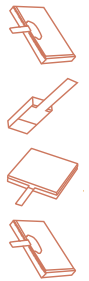
30 - 60 W 4 GHz BeO



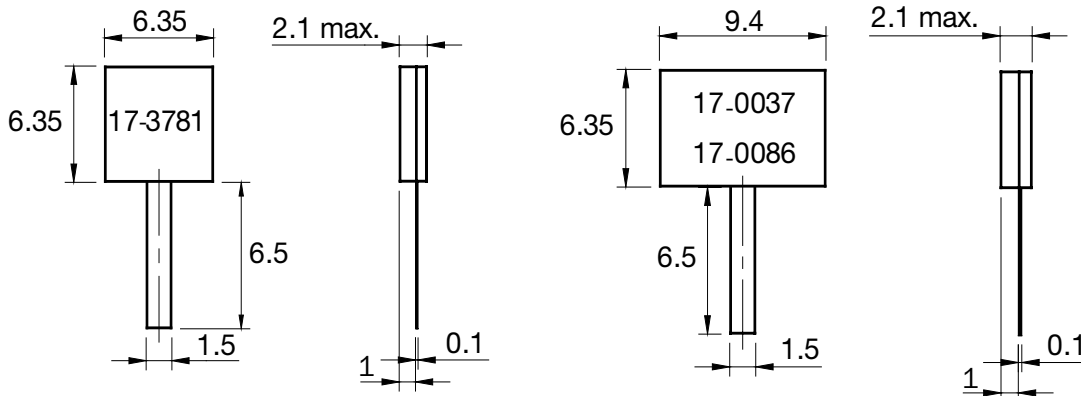
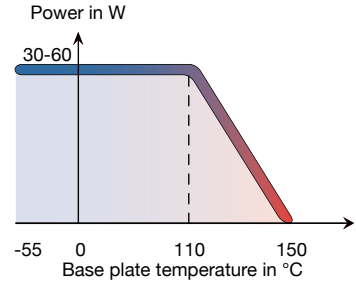
Standards
NF C 96-315
MIL-DTL-39030



Flangeless Terminations



Substrate	BeO
Resistive film	Thick film
Tab	Ag
Cover substrate	Al ₂ O ₃
Size	2525



Dimensions in mm

[Return to Search by Part Number](#)

P/N	Frequency (GHz)	Power (W)	Impedance ($\Omega \pm 5\%$)	Max VSWR
17-3781	4	30	50	1.20
17-0037	2	60	50	1.20
17-0086	3	60	50	1.30

mm	inch
0.1	0.004
1	0.039
1.5	0.059
2.1	0.083
6.35	0.250
6.5	0.256
9.4	0.370

60 W 4 GHz AIN

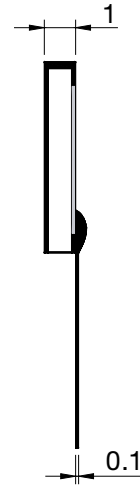
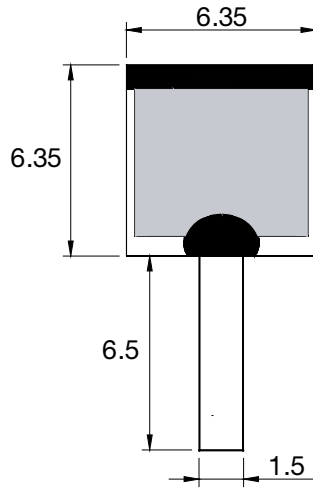
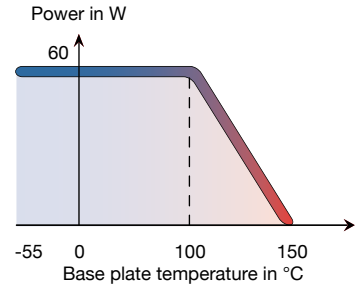


Standards
NF C 96-315
MIL-DTL-39030



Flangeless Terminations

Substrate	AlN
Resistive film	Thick film
Protection film	Epoxy
Tab	Ag
Tab attachment	Brazed with epoxy encapsulation
Size	2525



Dimensions in mm

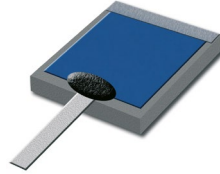
[Return to Search by Part Number](#)

P/N	Frequency (GHz)	Power (W)	Impedance ($\Omega \pm 5\%$)	Max VSWR
17-0379	4	60	50	1.30

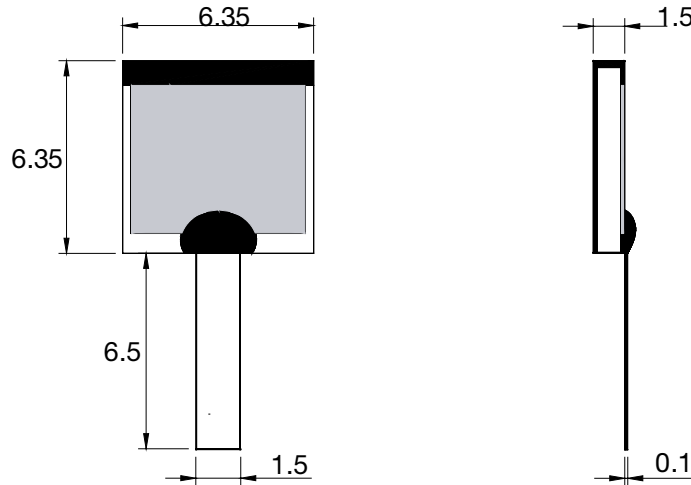
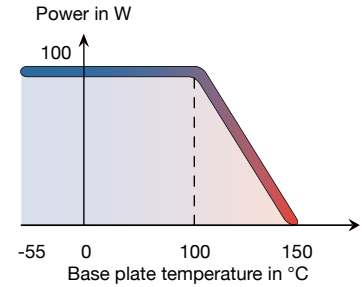
mm	inch
0.1	0.004
1	0.039
1.5	0.059
6.35	0.250
6.5	0.256

100 W 4 GHz AIN

Standards
NF C 96-315
MIL-DTL-39030



Substrate	AIN
Resistive film	Thick film
Protection film	Epoxy
Tab	Ag
Tab attachment	Brazed with epoxy encapsulation
Size	2525



Dimensions in mm

Flangeless Terminations



[Return to Search by Part Number](#)

P/N	Frequency (GHz)	Power (W)	Impedance ($\Omega \pm 5\%$)	Max VSWR
17-0495	4	100	50	1.25

mm	inch
0.1	0.004
1.5	0.059
6.35	0.250
6.5	0.256

100 W 5 GHz AIN

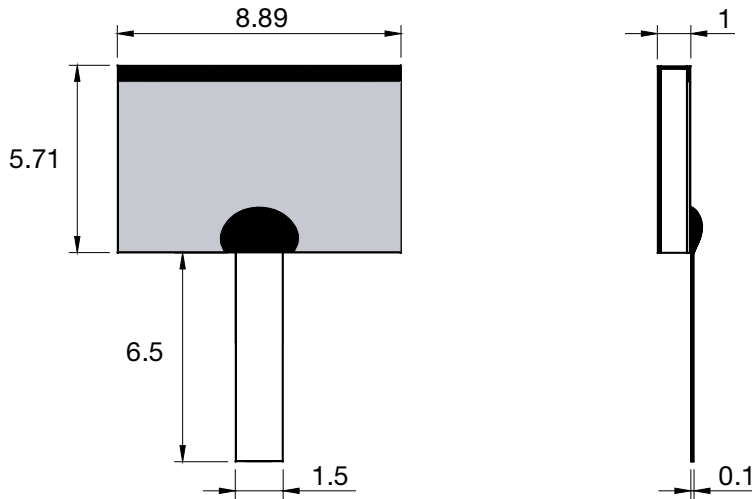
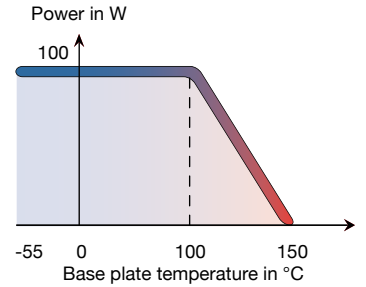


Standards
NF C 96-315
MIL-DTL-39030



Flangeless Terminations

Substrate	AIN
Resistive film	Thick film
Protection film	Epoxy
Tab	Ag
Tab attachment	Brazed with epoxy encapsulation
Size	3523



Dimensions in mm

[Return to Search by Part Number](#)

P/N	Frequency (GHz)	Power (W)	Impedance ($\Omega \pm 5\%$)	Max VSWR
17-0475	5	100	50	1.20

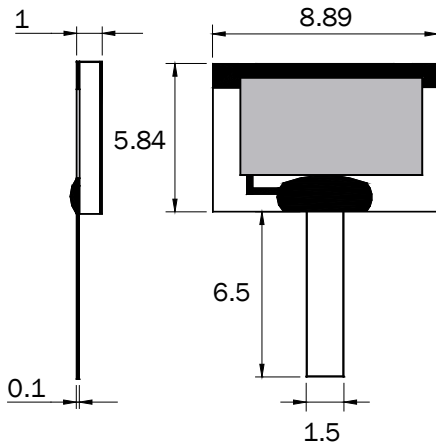
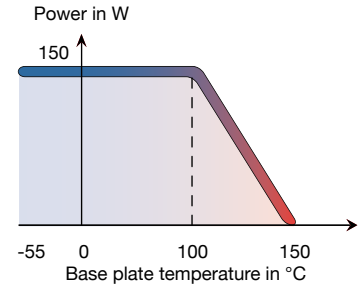
mm	inch
0.1	0.004
1	0.039
1.5	0.059
5.71	0.225
6.5	0.256
8.89	0.350

150 W 4 GHz AIN

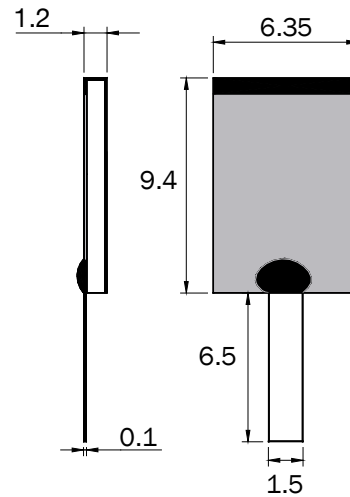
Standards
NF C 96-315
MIL-DTL-39030



Substrate	AIN
Resistive film	Thick film
Protection film	Epoxy
Tab	Ag
Tab attachment	Brazed with epoxy encapsulation
Size	3523 (17-0476), 3725 (17-0477)



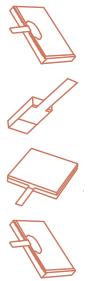
17-0476



17-0477

Dimensions in mm

Flangeless Terminations



[Return to Search by Part Number](#)

P/N	Frequency (GHz)	Power (W)	Impedance ($\Omega \pm 5\%$)	Max VSWR
17-0476	3	150	50	1.20
17-0477	4	150	50	1.20

mm	inch
0.1	0.004
1	0.039
1.2	0.047
1.5	0.059
5.84	0.230
6.35	0.250
8.89	0.350
9.4	0.370

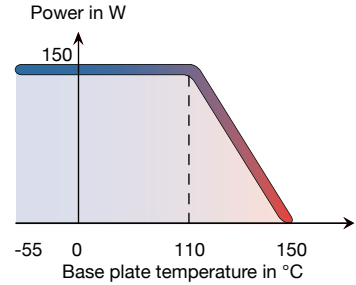
150 W 2.5 GHz BeO



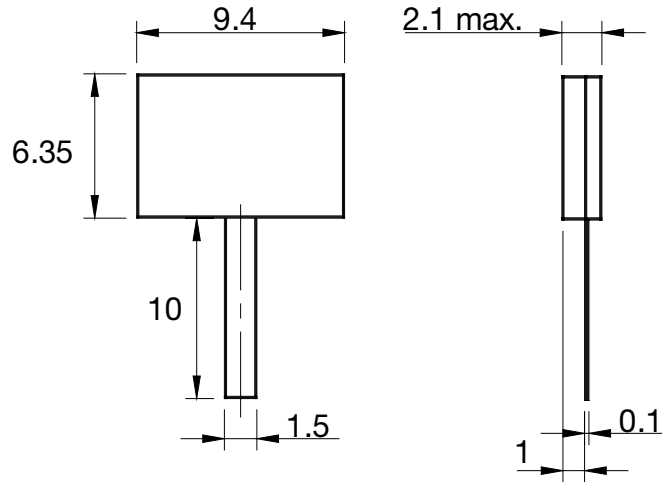
Standards
NF C 96-315
MIL-DTL-39030



Substrate	BeO
Resistive film	Thick film
Tab	Ag
Cover substrate	Al ₂ O ₃
Size	3725



Flangeless Terminations



Dimensions in mm

[Return to Search by Part Number](#)

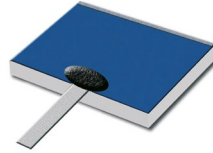
P/N	Frequency (GHz)	Power (W)	Impedance ($\Omega \pm 5\%$)	Max VSWR
17-0322	2.5	150	50	1.20

mm	inch
0.1	0.004
1	0.039
1.5	0.059
2.1	0.083
6.35	0.250
9.4	0.370
10	0.394



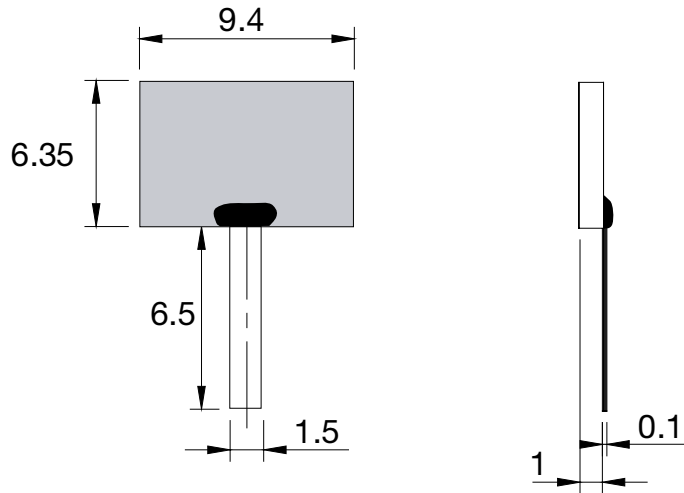
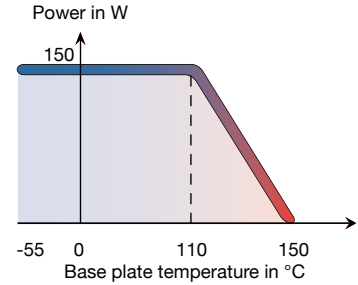
150 W 2.5 GHz BeO

Standards
NF C 96-315
MIL-DTL-39030



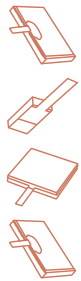
Substrate
Resistive film
Tab
Protection film
Tab attachment
Size

BeO
Thick film
Ag
Epoxy
Brazed with encapsulation
3725



Dimensions in mm

Flangeless Terminations



[Return to Search by Part Number](#)

P/N	Frequency (GHz)	Power (W)	Impedance ($\Omega \pm 5\%$)	Max VSWR
17-0815	2.5	150	50	1.20

mm	inch
0.1	0.004
1	0.039
1.5	0.059
2.1	0.083
6.35	0.250
6.5	0.256
9.4	0.370

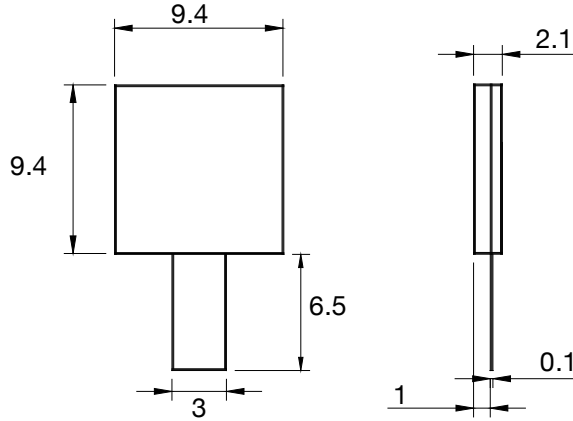
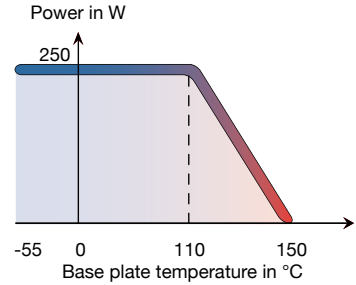
250 W 3 GHz BeO



Standards
NF C 96-315
MIL-DTL-39030



Substrate	BeO
Resistive film	Thick film
Tab	Ag
Cover substrate	Al ₂ O ₃
Size	3737

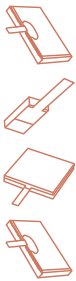


Dimensions in mm

[Return to Search by Part Number](#)

P/N	Frequency (GHz)	Power (W)	Impedance ($\Omega \pm 5\%$)	Max VSWR
17-0425	3	250	50	1.25

mm	inch
0.1	0.004
1	0.039
1.5	0.059
2.1	0.083
3	0.118
6.5	0.256
9.4	0.370





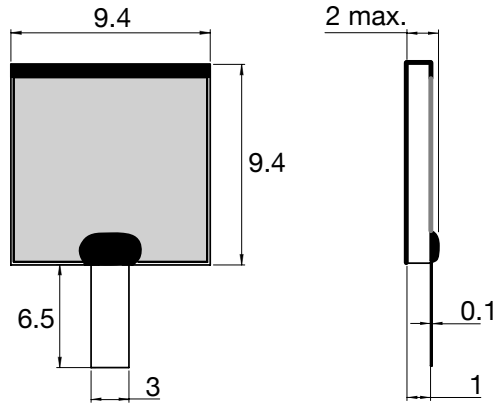
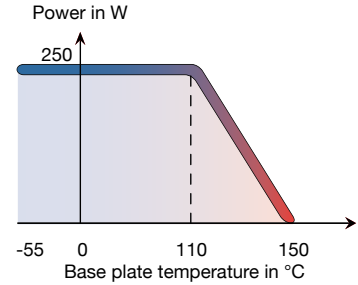
250 W 3 GHz BeO

Standards
NF C 96-315
MIL-DTL-39030



Substrate
Resistive film
Tab
Protection film
Tab attachment
Size

BeO
Thick film
Ag
Epoxy
Brazed with encapsulation
3737



Dimensions in mm

Flangeless Terminations

[Return to Search by Part Number](#)

P/N	Frequency (GHz)	Power (W)	Impedance ($\Omega \pm 5\%$)	Max VSWR
17-0862	3	250	50	1.20

mm	inch
0.1	0.004
1	0.039
2	0.079
3	0.118
6.5	0.256
9.4	0.370

500 W 1 GHz BeO

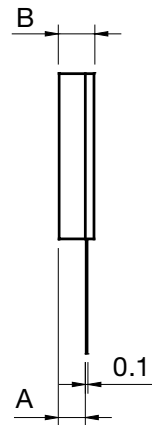
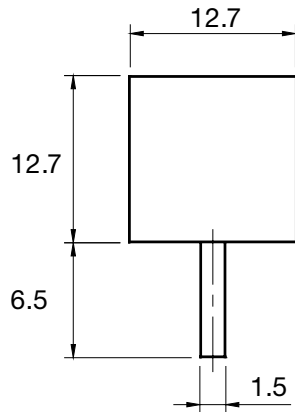
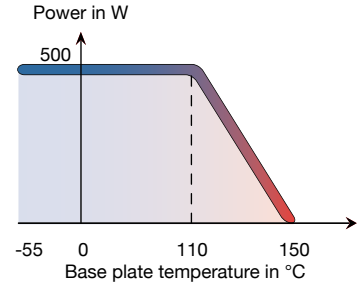


Standards
NF C 96-315
MIL-DTL-39030



Flangeless Terminations

Substrate	BeO
Resistive film	Thick film
Tab	Ag
Cover substrate	Al ₂ O ₃
Size	5050



Dimensions in mm

[Return to Search by Part Number](#)

P/N	Frequency (GHz)	Power (W)	Impedance (Ω ± 5%)	Max VSWR	A (mm)	B (mm)
17-0343	0.5	500	12.5		1	2.1
17-0342	0.5	500	25		1	2.1
17-0419	0.5	500	50	1.25	1	2.1
17-0479	1	500	50	1.20	2	3.1

mm	inch
0.1	0.004
1	0.039
1.5	0.059
2	0.079
2.1	0.083
3.1	0.122
6.5	0.256
12.7	0.500

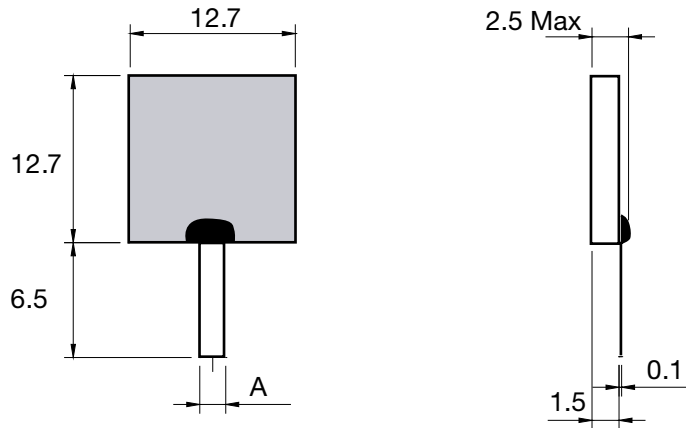
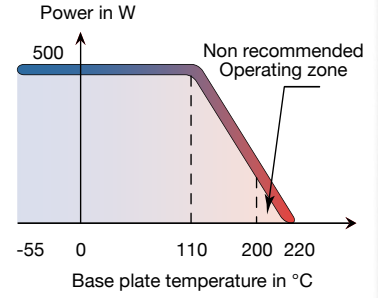
500 W 4 GHz BeO



Standards
NF C 96-315
MIL-DTL-39030



Substrate	BeO
Resistive film	Thick film
Tab	Ag
Protection film	Epoxy
Tab attachment	Brazed with encapsulation
Size	5050



Dimensions in mm

Flangeless Terminations



[Return to Search by Part Number](#)

P/N	Frequency (GHz)	Power (W)	Impedance ($\Omega \pm 5\%$)	Max VSWR	A (mm)
17-0852	4	500	50	1.20	1.5
17-0865	4	500	50	1.20	3

mm	inch
0.1	0.004
1.5	0.059
2.5	0.098
3	0.118
6.5	0.256
12.7	0.500

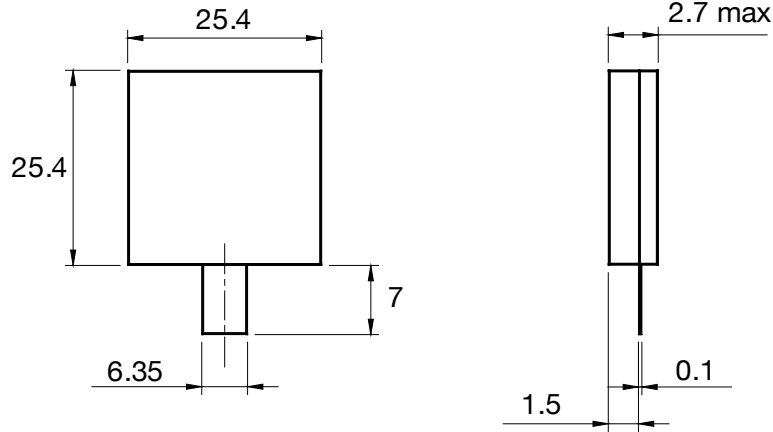
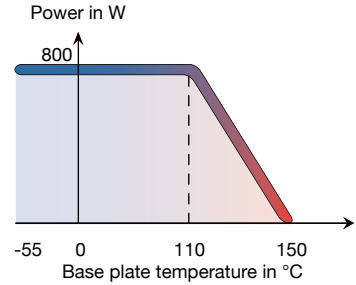
800 W 1 GHz BeO



Standards
NF C 96-315
MIL-DTL-39030



Substrate	BeO
Resistive film	Thick film
Tab	Brass/Ag
Cover substrate	Al ₂ O ₃
Size	100100



Dimensions in mm

[Return to Search by Part Number](#)

P/N	Frequency (GHz)	Power (W)	Impedance (Ω ± 5%)	Max VSWR
17-0378	0.25	800	12.5	-
17-0377	0.25	800	25	-
17-0334	0.25	800	50	1.30
17-0480	1	800	50	1.20

mm	inch
0.1	0.004
1.5	0.059
2.7	0.106
6.35	0.250
7	0.276
25.4	1



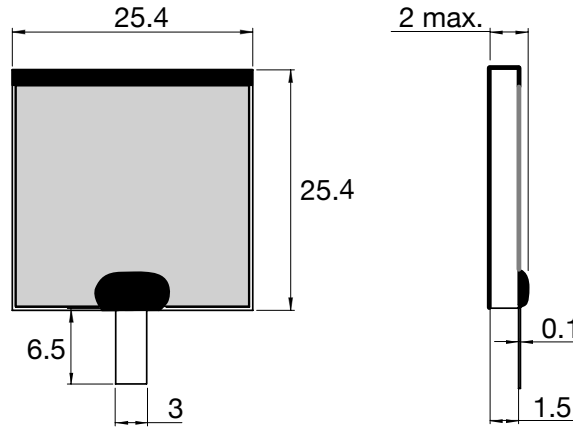
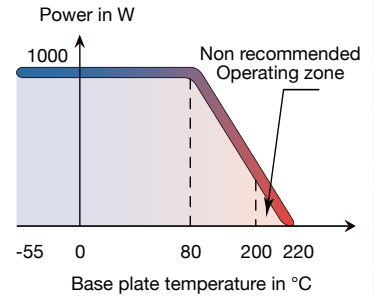
1000 W 2.45 GHz BeO



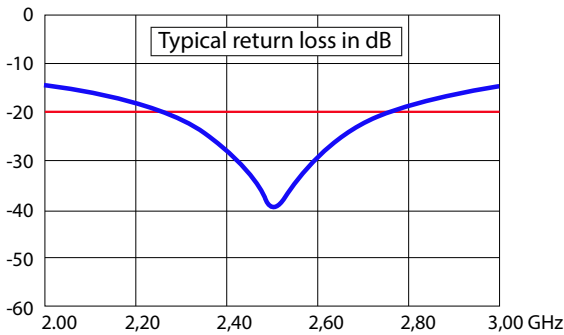
Standards
NF C 96-315
MIL-DTL-39030



Substrate	BeO
Resistive film	Thick film
Tab	Brass/Ag
Protection film	Epoxy
Tab attachment	Brazed with encapsulation
Size	100100



Dimensions in mm



[Return to Search by Part Number](#)

P/N	Frequency (GHz)	Power (W)	Impedance ($\Omega \pm 5\%$)	Max VSWR
17-0853	2.4-2.5	1000*	50	1.15

mm	inch
0.1	0.004
1.5	0.059
2	0.079
3	0.118
6.5	0.256
25.4	1

* 1000 W power rating is given for 80 °C base plate temperature, Power rating falls to 800 W for 110 °C base plate temperature.



1000 W 1 GHz BeO



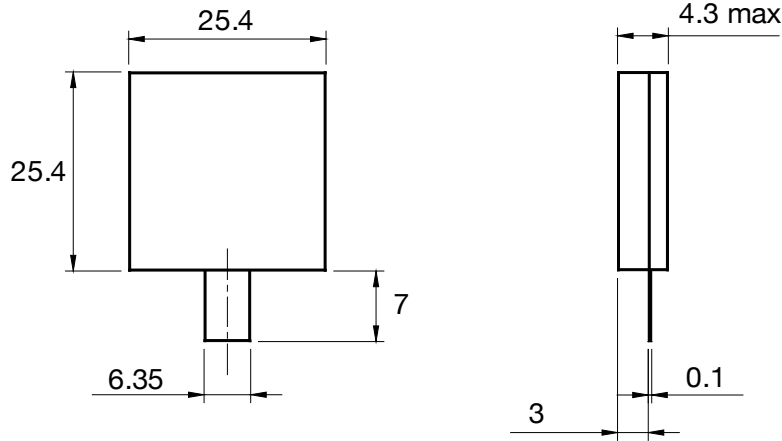
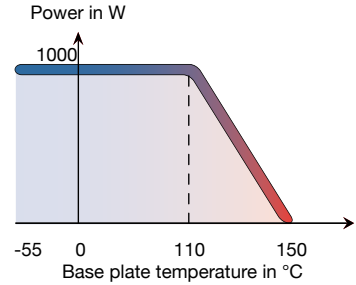
Standards
NF C 96-315
MIL-DTL-39030



Flangeless Terminations

Substrate
Resistive film
Tab/Plating
Cover substrate
Size

BeO
Thick film
CuBe/Ag
Al₂O₃
100100



Dimensions in mm

[Return to Search by Part Number](#)

P/N	Frequency (GHz)	Power (W)	Impedance (Ω ± 5%)	Max VSWR
17-0832	1	1000	50	1.25

mm	inch
0.1	0.004
3	0.118
4.3	0.169
6.35	0.250
7	0.275
25.4	1



1350 W 1.5 GHz BeO

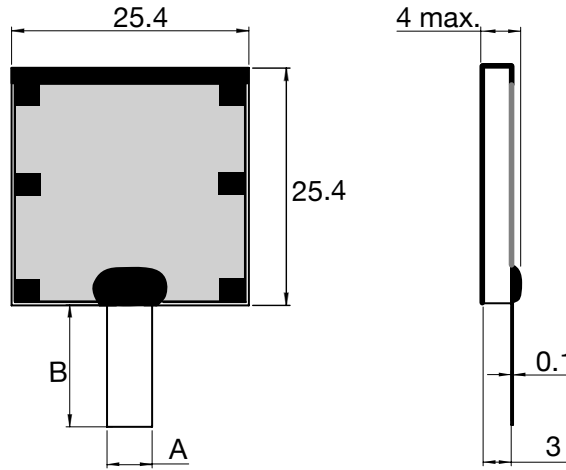
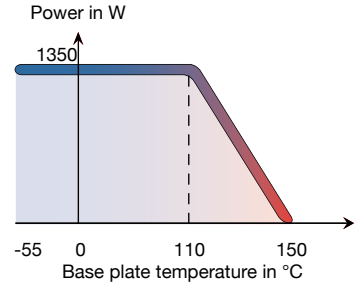


Standards
NF C 96-315
MIL-DTL-39030



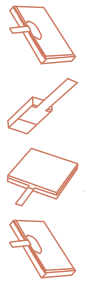
Substrate
Resistive film
Tab/Plating
Tab attachment
Size

BeO
Thick film
Ag
Brazed with black silicone encapsulation
100100



Dimensions in mm

Flangeless Terminations



[Return to Search by Part Number](#)

P/N	Frequency (GHz)	Power (W)	Impedance ($\Omega \pm 5\%$)	Max VSWR*	A (mm)	B (mm)
17-0841	1.5	1350	50	1.15	1.5	4.5
17-0863	1.5	1350	50	1.15	3	4.5
17-0864	1.5	1350	50	1.15	6.35	6.5
17-0880	1.5	1350	100		1.5	4.5

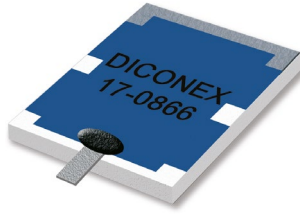
mm	inch
0.1	0.004
1.5	0.059
3	0.118
4	0.157
4.5	0.177
6.35	0.250
6.5	0.256
25.4	1

* VSWR \leq 1.08 at 1 GHz

1650 W 1.5 GHz BeO

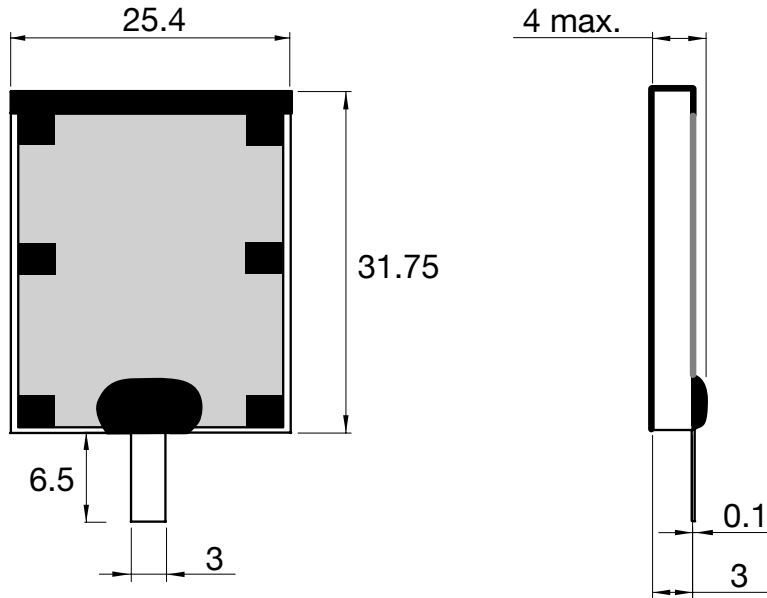
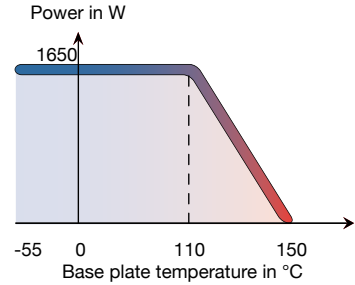


Standards
NF C 96-315
MIL-DTL-39030



Flangeless Terminations

Substrate	BeO
Resistive film	Thick film
Tab/Plating	Ag
Tab attachment	Brazed with black silicone encapsulation
Size	125100



Dimensions in mm

[Return to Search by Part Number](#)

P/N	Frequency (GHz)	Power (W)	Impedance ($\Omega \pm 5\%$)	Max VSWR
17-0866	1.5	1650	50	1.20

mm	inch
0.1	0.004
3	0.118
4	0.157
6.5	0.256
25.4	1
31.75	1.250

Search by Part Number

Part Number	Page
17-0037	C7
17-0086	C7
17-0322	C12
17-0334	C18
17-0342	C16
17-0343	C16
17-0377	C18
17-0378	C18
17-0379	C8
17-0384	C5
17-0419	C16
17-0425	C14
17-0475	C10
17-0476	C11
17-0477	C11
17-0479	C16
17-0480	C18
17-0487	C6
17-0495	C9
17-0794	C4
17-0815	C13
17-0832	C20
17-0841	C21
17-0851	C3
17-0852	C17
17-0853	C19
17-0862	C15
17-0863	C21
17-0864	C21
17-0865	C17
17-0866	C22
17-0880	C21
17-3781	C7

Flangeless Terminations



