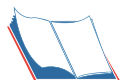
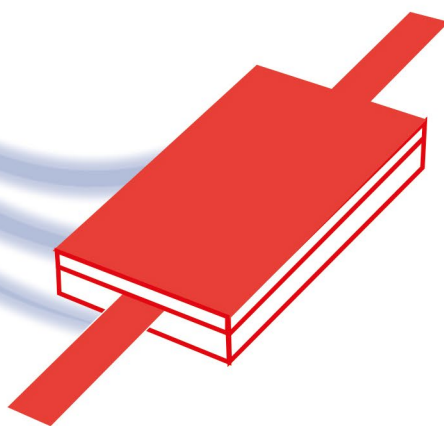


FLANGELESS RESISTORS



=> [Search by Part Number](#)

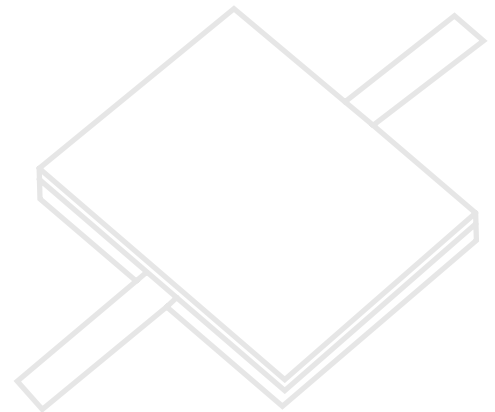
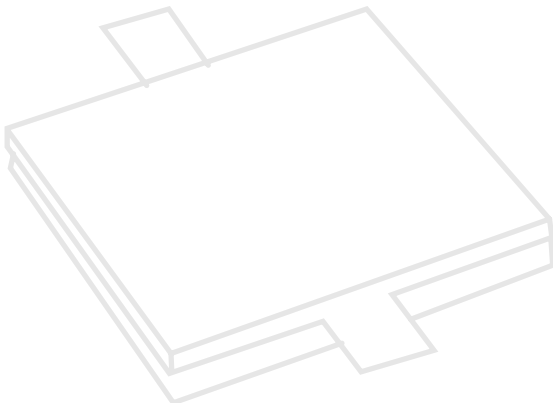
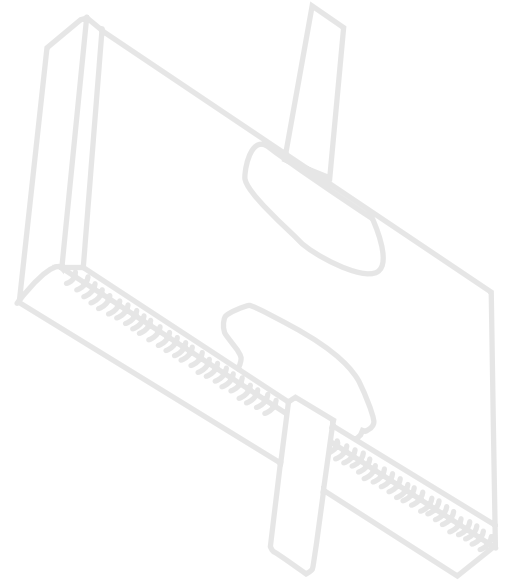
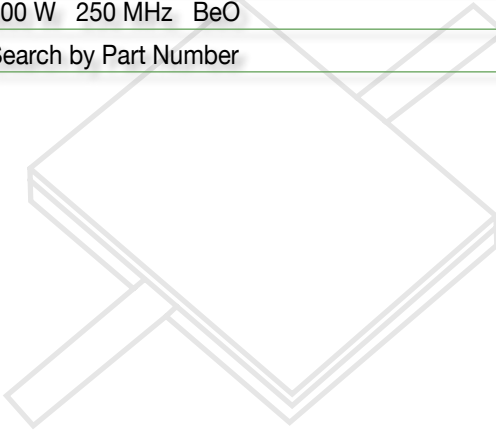




For Power Amplifiers & Dividers

- ⇒ Easy Soldering on Base Plate
- ⇒ Size 3725 & 100100
- ⇒ 150 to 800 W
- ⇒ Up to 2.2 GHz

150 W	2.2 GHz	BeO	3
250 W	2 GHz	BeO	4
500 W	1 GHz	BeO	5
800 W	250 MHz	BeO	6
Search by Part Number			7





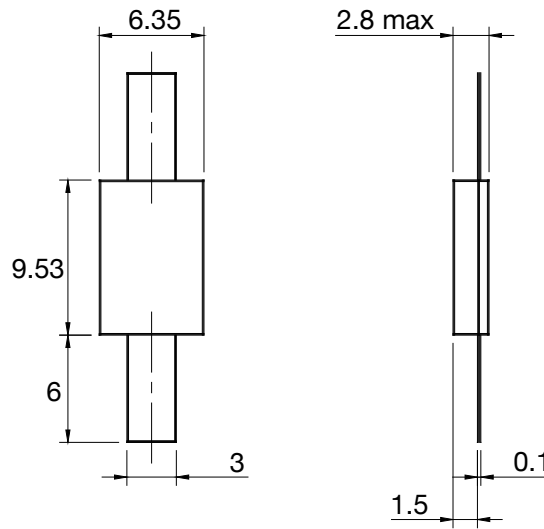
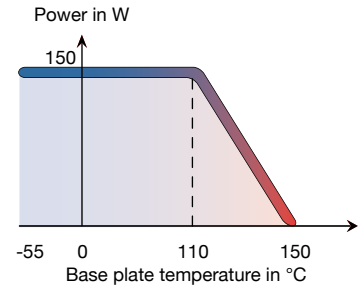
150 W 2.2 GHz BeO

Standards
NF C 96-315
MIL-DTL-39030



Substrate
Resistive film
Tab
Cover substrate
Size

BeO
Thick film
Ag
Al₂O₃
3725



Dimensions in mm

Flangeless Resistors

[Return to Search by Part Number](#)

P/N	Frequency (GHz)	Power (W)	Resistance* (Ω ± 5%)	Capacitance** C0 (pF)
39-0190	2.2	150	100	2.2

mm	inch
0.1	0.004
1.5	0.059
2.57	0.101
2.80	0.110
3.7	0.146
6	0.236
6.35	0.250
9.53	0.375

* Others values on request

** C₀ is the value of capacitance measured in DC.

C_{HF} is the RF equivalent capacitance measured with NWA with one port grounded C_{HF} = 1/3 C₀

250 W 2 GHz BeO

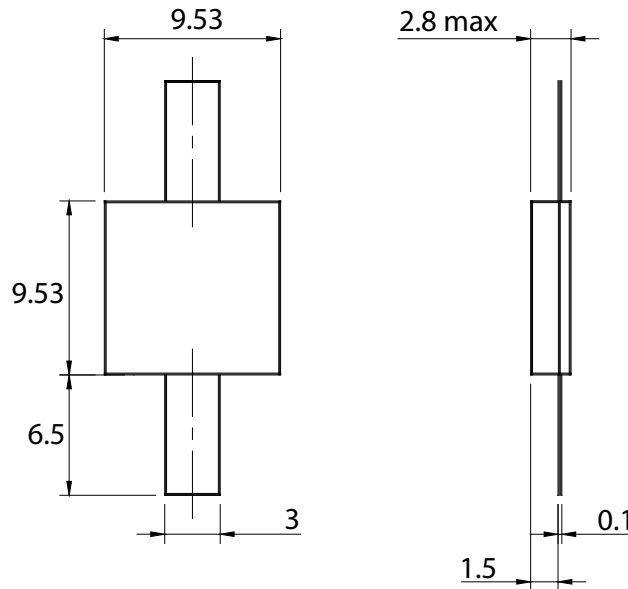
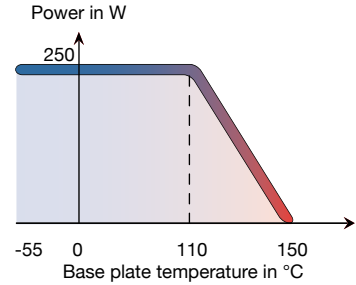


Standards
NF C 96-315
MIL-DTL-39030



Flangeless Resistors

Substrate	BeO
Resistive film	Thick film
Tab	Ag
Cover substrate	Al ₂ O ₃
Size	3737



Dimensions in mm

[Return to Search by Part Number](#)

P/N	Frequency (GHz)	Power (W)	Resistance* (Ω ± 5%)	Capacitance** C ₀ (pF)
39-0122	2	250	50	3.7
39-0123	2	250	100	3.7

mm	inch
0.1	0.004
1	0.039
1.5	0.059
2.1	0.083
2.8	0.110
3	0.118
6.5	0.256
9.53	0.375

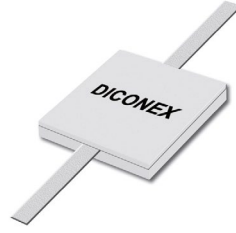
* Others values on request

** C₀ is the value of capacitance measured in DC.

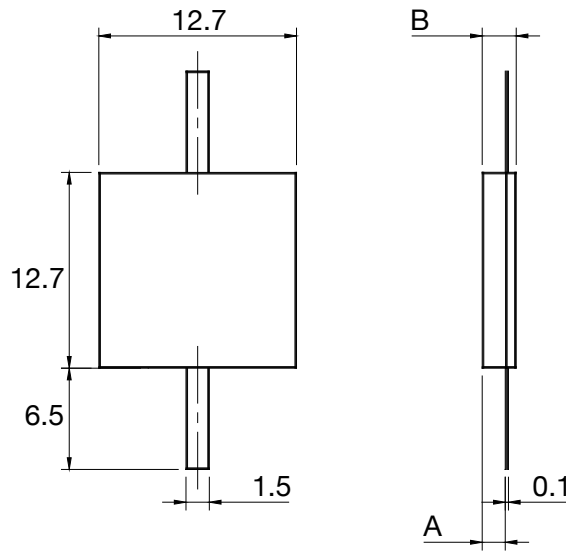
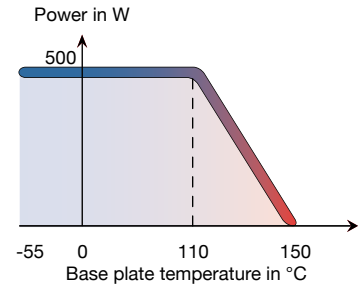
C_{HF} is the RF equivalent capacitance measured with NWA with one port grounded C_{HF} = 1/3 C₀

500 W 1 GHz BeO

Standards
NF C 96-315
MIL-DTL-39030



Substrate	BeO
Resistive film	Thick film
Tab	Ag
Cover substrate	Al ₂ O ₃
Size	5050



Dimensions in mm

[Return to Search by Part Number](#)

P/N	Frequency (GHz)	Power (W)	Resistance* (Ω ± 5%)	Capacitance** C ₀ (pF)	A (mm)	B (mm)
39-0059	0.5	500	12.5	7.2	1	2.1
39-0058	0.5	500	25	7.2	1	2.1
39-0124	1	500	50	4.2	2	3.1
39-0125	1	500	100	4.2	2	3.1

mm	inch
0.1	0.004
1	0.039
1.5	0.059
2	0.079
2.1	0.083
3.1	0.122
6.5	0.256
12.7	0.500

* Others values on request

** C₀ is the value of capacitance measured in DC.

C_{HF} is the RF equivalent capacitance measured with NWA with one port grounded C_{HF} = 1/3 C₀



800 W 250 MHz BeO

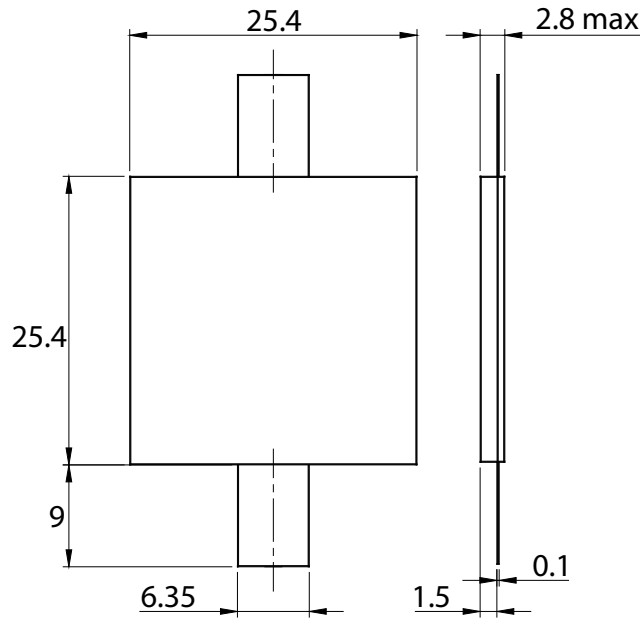
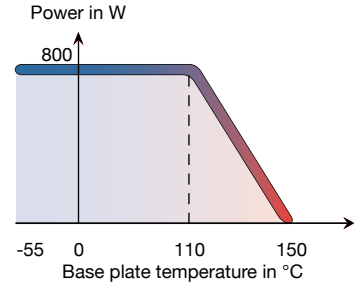


Standards
NF C 96-315
MIL-DTL-39030



Flangeless Resistors

Substrate	BeO
Resistive film	Thick film
Tab	Brass/Ag
Cover substrate	Al ₂ O ₃
Size	100100



Dimensions in mm

Return to Search by Part Number

P/N	Frequency (GHz)	Power (W)	Resistance* (Ω ± 5%)	Capacitance** C0 (pF)
39-0082	0.25	800	25	14
39-0088	0.25	800	50	14
39-0126	0.25	800	100	14

mm	inch
0.1	0.004
1.5	0.059
2.7	0.106
6.35	0.250
9	0.354
25.4	1

* Others values on request

** C₀ is the value of capacitance measured in DC.

C_{HF} is the RF equivalent capacitance measured with NWA with one port grounded C_{HF} = 1/3 C₀



Search by Part Number

Part Number	Page
39-0058	G5
39-0059	G5
39-0082	G6
39-0088	G6
39-0190	G3
39-0122	G4
39-0123	G4
39-0124	G5
39-0125	G5
39-0126	G6

