

1500 W BeO Stripline Termination

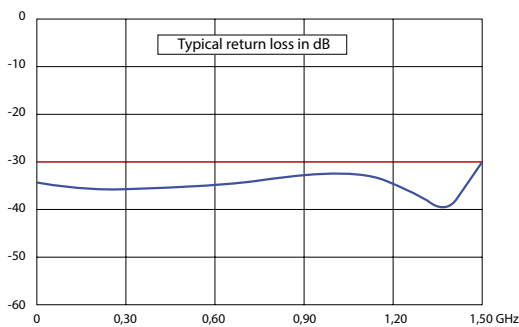
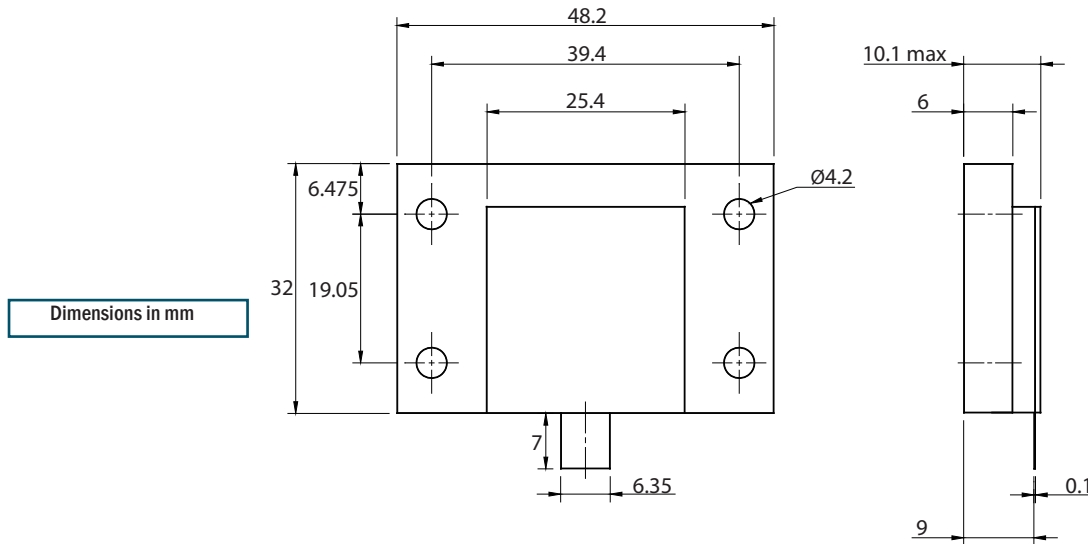
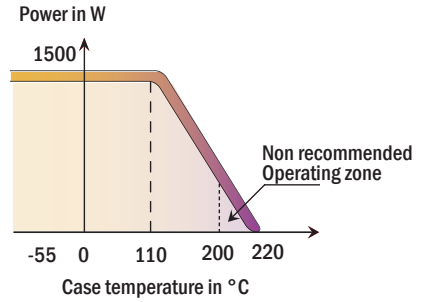
NEW



Standards
NF C 96-315
MIL-DTL-39030



Substrate	BeO
Resistive film	Thick film
Tab/Plating	CuBe/Ag
Mounting flange/Plating	Cu/Ni
Cover substrate	Al ₂ O ₃



mm	inch
0.1	0.004
4.2	0.166
6	0.236
6.35	0.250
6.475	0.255
7	0.276
9	0.354
10.1	0.398
19.05	0.750
25.4	1.000
32	1.260
39.4	1.551
48.2	1.898

P/N	Frequency (GHz)	Power (W)	Impedance (Ω ± 5%)	Max VSWR*
17-0694	1.5	1500	50	1.15

* Optimized for digital applications VSWR ≤ 1.06 at 860 MHz