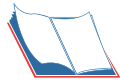
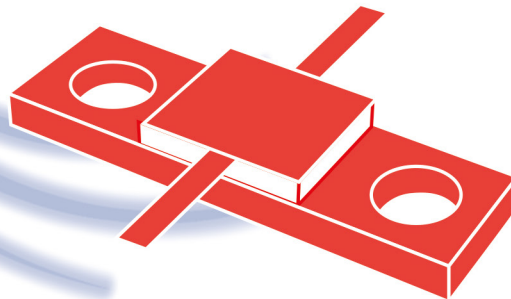


STRIPLINE ATTENUATORS



=> [Search by Part Number](#)



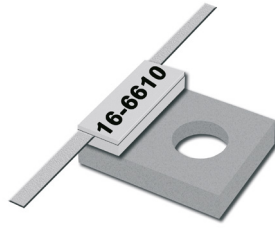
For Power Amplifiers, Dividers & Isolators

- ⇒ Easy mounting on cold plates
- ⇒ Size 3020 to 11839
- ⇒ 10 to 100 W
- ⇒ Up to 4 GHz

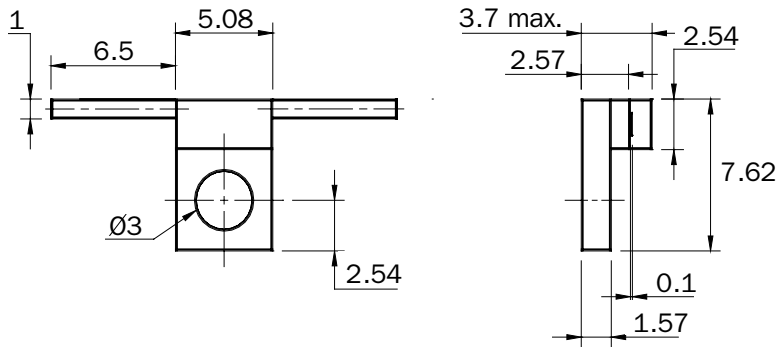
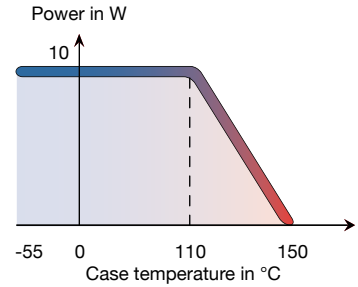
10 W 4 GHz BeO	3	100 W 3 GHz AlN	8
20 W 3 GHz BeO	4	100 W 3 GHz BeO	9
50 W 3 GHz AlN	5	100 W 3 GHz BeO	10
50 W 3 GHz BeO	6	Search by Part Number	11
50 W 3 GHz BeO	7		

10 W 4 GHz BeO

Standards
NF C 96-315
MIL-DTL-3933



Substrate	BeO
Resistive film	Thick film
Tab	Ag
Mounting flange/Plating	Cu/Ni
Cover substrate	Al ₂ O ₃
Size	3020



Dimensions in mm

Return to Search by Part Number

P/N	Attenuation* (dB)	Frequency (GHz)	Power (W)	Impedance ($\Omega \pm 5\%$)	Max VSWR	Accuracy $\pm \Delta\alpha$ (dB)
16-6642	1	4	10	50	1.25	0.4
16-6643	2	4	10	50	1.25	0.4
16-6609	3	4	10	50	1.25	0.4
16-6675	4	4	10	50	1.25	0.4
16-6610	6	4	10	50	1.25	0.5
16-6611	10	4	10	50	1.25	1
16-6612	20	4	10	50	1.25	1.2
16-6747	30	2.5	10	50	1.25	1.5

mm	inch
0.1	0.004
1	0.039
1.57	0.062
2.54	0.100
2.57	0.101
3	0.118
3.7	0.146
5.08	0.200
6.35	0.250
6.5	0.256
7.62	0.300

* Others values on request



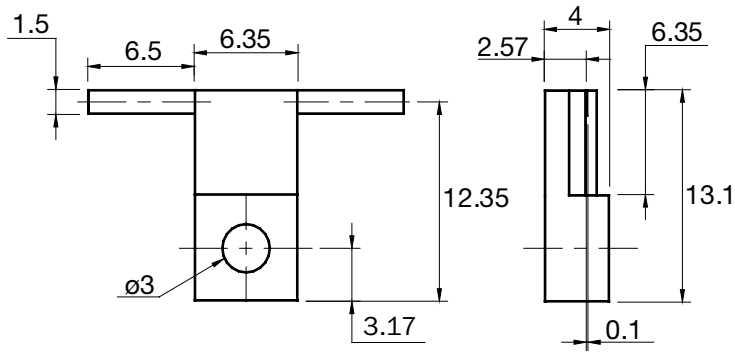
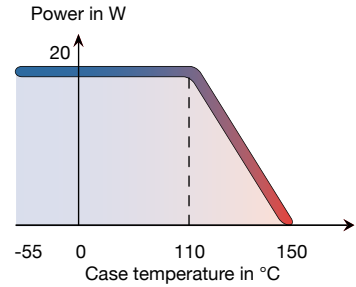
20 W 3 GHz BeO



Standards
NF C 96-315
MIL-DTL-3933



Substrate	BeO
Resistive film	Thick film
Tab	Ag
Mounting flange/Plating	Cu/Ni
Cover substrate	Al ₂ O ₃
Size	5225



Dimensions in mm

[Return to Search by Part Number](#)

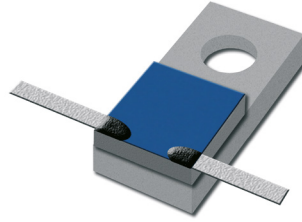
P/N	Attenuation* (dB)	Frequency (GHz)	Power (W)	Impedance ($\Omega \pm 5\%$)	Max VSWR	Accuracy $\pm \Delta\alpha$ (dB)
16-6515	1	3	20	50	1.25	0.3
16-6516	2	3	20	50	1.25	0.3
16-3602	3	3	20	50	1.25	0.3
16-6517	4	3	20	50	1.25	0.3
16-0311	5	3	20	50	1.25	0.3
16-3789	6	3	20	50	1.25	0.4
16-3790	10	3	20	50	1.25	0.5
16-6518	20	3	20	50	1.25	1

mm	inch
0.1	0.004
1.5	0.059
2.57	0.101
3	0.118
3.17	0.125
4	0.157
6.35	0.250
6.5	0.256
12.35	0.486
13.1	0.516

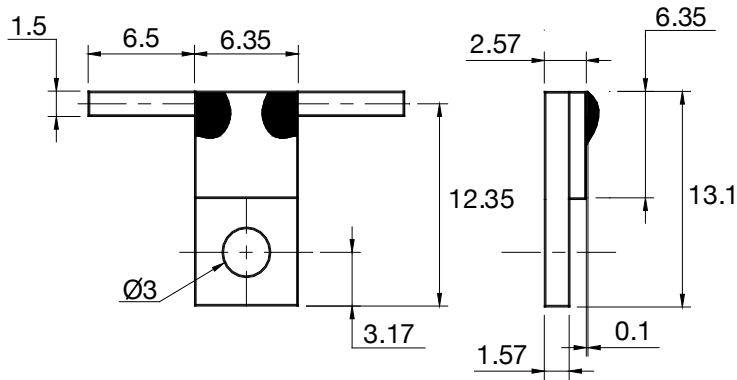
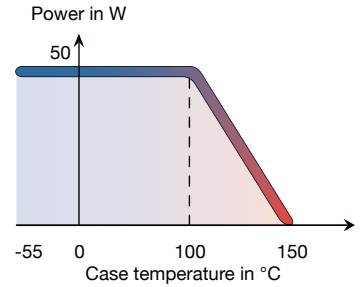
* Others values on request

50 W 3 GHz AIN

Standards
NF C 96-315
MIL-DTL-3933



Substrate	AIN
Resistive film	Thick film
Tab	Ag
Protection film	Epoxy
Mounting flange/Plating	Cu/Ni
Tab attachment	Brazed with epoxy encapsulation
Size	5225



Dimensions in mm

[Return to Search by Part Number](#)

P/N	Attenuation* (dB)	Frequency (GHz)	Power (W)	Impedance ($\Omega \pm 5\%$)	Max VSWR	Accuracy $\pm \Delta\alpha$ (dB)
16-6738	1	3	50	50	1.25	0.3
16-6743	2	3	50	50	1.25	0.3
16-6744	3	3	50	50	1.25	0.3
16-6739	4	3	50	50	1.25	0.3
16-6745	6	3	50	50	1.25	0.4
16-6746	10	3	50	50	1.25	0.5

mm	inch
0.1	0.004
1.5	0.059
1.57	0.062
2.57	0.101
3	0.118
3.17	0.125
6.35	0.250
6.5	0.256
12.35	0.486
13.1	0.516

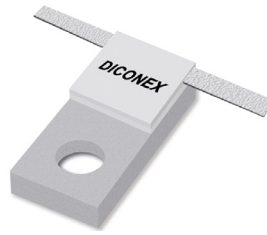
* Others values on request



50 W 3 GHz BeO

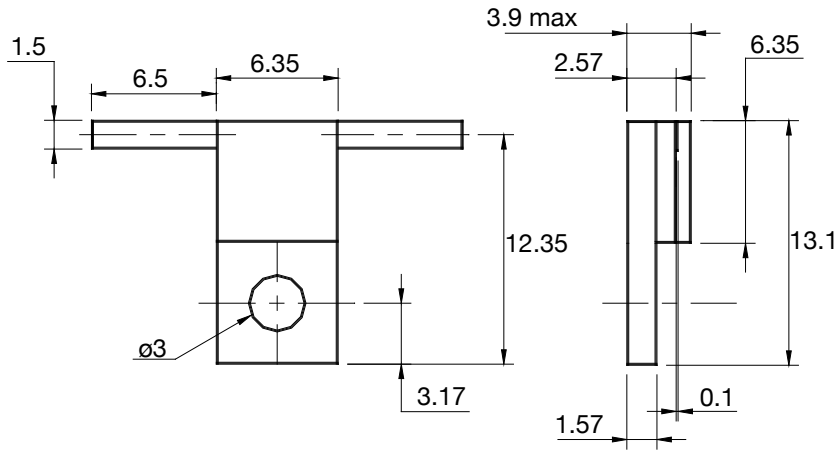
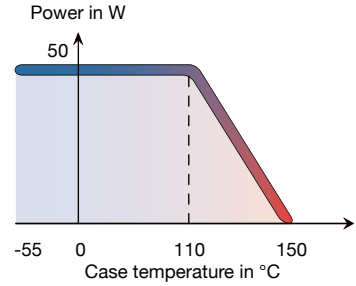


Standards
NF C 96-315
MIL-DTL-3933



Stripline Attenuators

Substrate	BeO
Resistive film	Thick film
Tab	Ag
Mounting flange/Plating	Cu/Ni
Cover substrate	Al ₂ O ₃
Size	5225



Dimensions in mm

[Return to Search by Part Number](#)

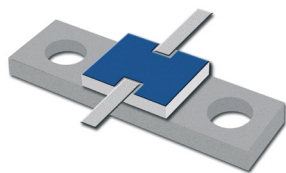
P/N	Attenuation* (dB)	Frequency (GHz)	Power (W)	Impedance ($\Omega \pm 5\%$)	Max VSWR	Accuracy $\pm \Delta\alpha$ (dB)
16-6822	1	3	50	50	1.25	0.3
16-6817	2	3	50	50	1.25	0.3
16-6818	3	3	50	50	1.25	0.3
16-6819	4	3	50	50	1.25	0.3

mm	inch
0.1	0.004
1.5	0.059
1.57	0.062
3	0.118
3.17	0.125
3.9	0.153
6.35	0.250
6.5	0.256
12.35	0.486
13.1	0.516

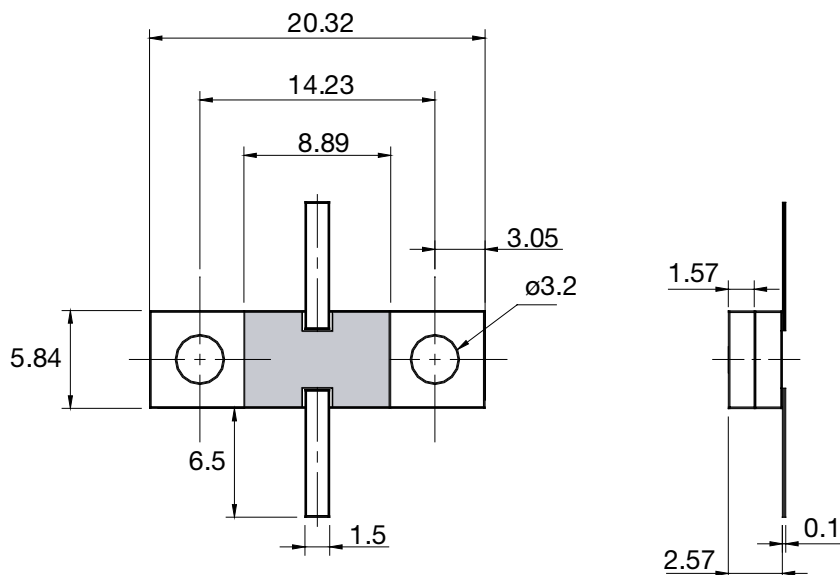
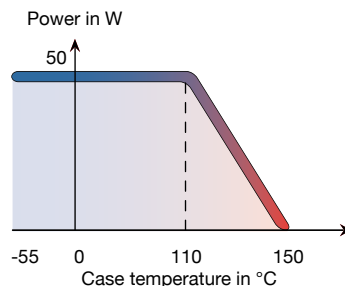
* Others values on request

50 W 3 GHz BeO

Standards
NF C 96-315
MIL-DTL-3933



Substrate	BeO
Resistive film	Thick film
Tab	Ag
Mounting flange/Plating	Cu/Ni
Protection film	Epoxy
Size	8023



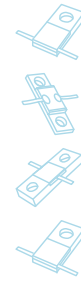
Dimensions in mm

[Return to Search by Part Number](#)

P/N	Attenuation* (dB)	Frequency (GHz)	Power (W)	Impedance ($\Omega \pm 5\%$)	Max VSWR	Accuracy $\pm \Delta\alpha$ (dB)
16-6734E	1	3	50	50	1.25	0.6
16-6735E	2	3	50	50	1.25	0.6
16-6592E	3	3	50	50	1.25	0.6
16-6593E	6	3	50	50	1.25	0.6
16-6594E	10	3	50	50	1.25	0.6
16-6595E	20	3	50	50	1.25	1
16-6596E	30	3	50	50	1.25	1.2

mm	inch
0.1	0.004
1.5	0.059
1.57	0.062
3	0.118
3.05	0.120
3.07	0.121
5.84	0.230
6.5	0.256
8.89	0.350
14.23	0.560
20.32	0.800

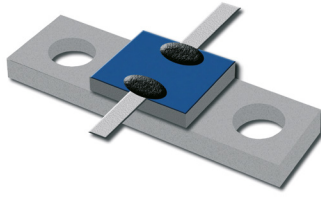
* Others values on request



100 W 3 GHz AIN

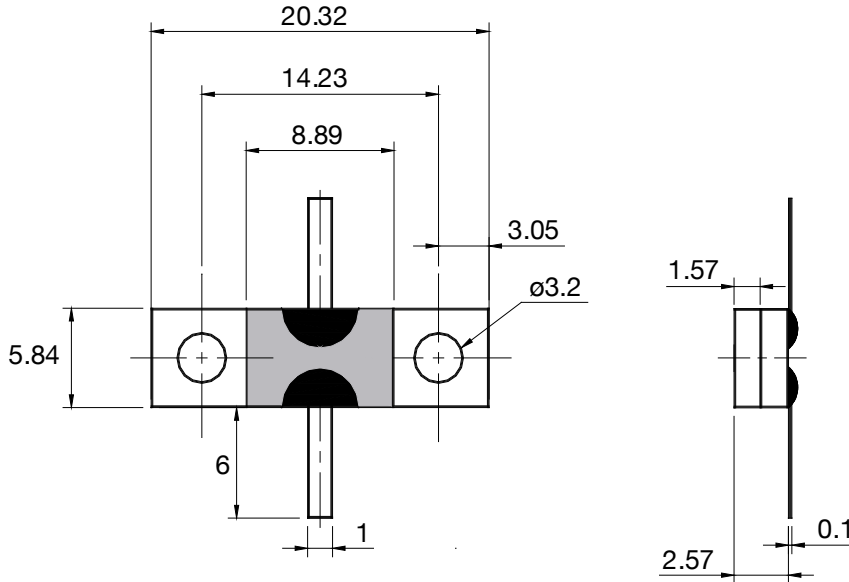
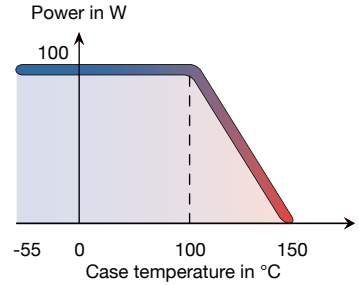


Standards
NF C 96-315
MIL-DTL-3933



Stripline Attenuators

Substrate	AIN
Resistive film	Thick film
Tab	Ag
Protection film	Epoxy
Mounting flange/Plating	Cu/Ni
Tab Attachment	Brazed with epoxy encapsulation
Size	8023



Dimensions in mm

[Return to Search by Part Number](#)

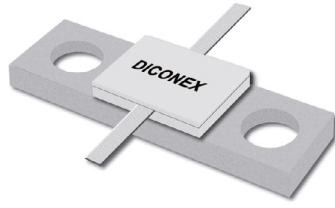
P/N	Attenuation* (dB)	Frequency (GHz)	Power (W)	Impedance ($\Omega \pm 5\%$)	Max VSWR	Accuracy $\pm \Delta\alpha$ (dB)
16-6839	1	3	100	50	1.20	0.3
16-6840	2	3	100	50	1.20	0.3
16-6865	3	3	100	50	1.20	0.3
16-6866	4	3	100	50	1.20	0.3
16-6725	20	2.5	100	50	1.20	0.5
16-6726	30	2.5	100	50	1.20	1.5

mm	inch
0.1	0.004
1	0.040
1.57	0.062
2.57	0.101
3	0.118
3.05	0.120
5.84	0.230
6	0.236
8.89	0.350
14.23	0.560
20.32	0.800

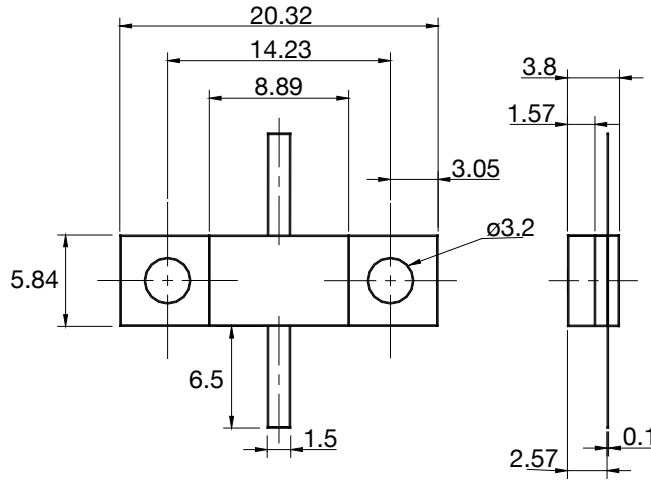
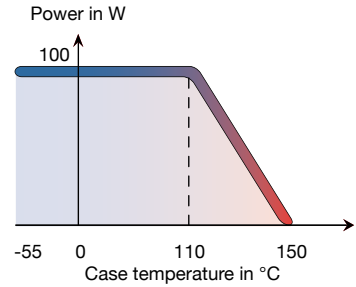
* Others values on request

100 W 3 GHz BeO

Standards
NF C 96-315
MIL-DTL-3933



Substrate	BeO
Resistive film	Thick film
Tab	Ag
Mounting flange/Plating	Cu/Ag
Cover substrate	Al ₂ O ₃
Size	8023



Dimensions in mm

Stripline Attenuators



[Return to Search by Part Number](#)

P/N	Attenuation* (dB)	Frequency (GHz)	Power (W)	Impedance ($\Omega \pm 5\%$)	Max VSWR	Accuracy $\pm \Delta a$ (dB)
16-6923	6	3	100	50	1.20	0.3
16-6924	10	3	100	50	1.20	0.5

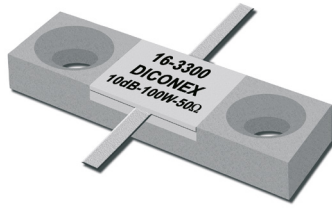
mm	inch
0.1	0.004
1.5	0.059
2.57	0.101
3	0.118
3.05	0.120
3.8	0.152
5.84	0.230
6.5	0.256
8.89	0.350
14.23	0.560
20.32	0.800

* Others values on request

100 W 3 GHz BeO

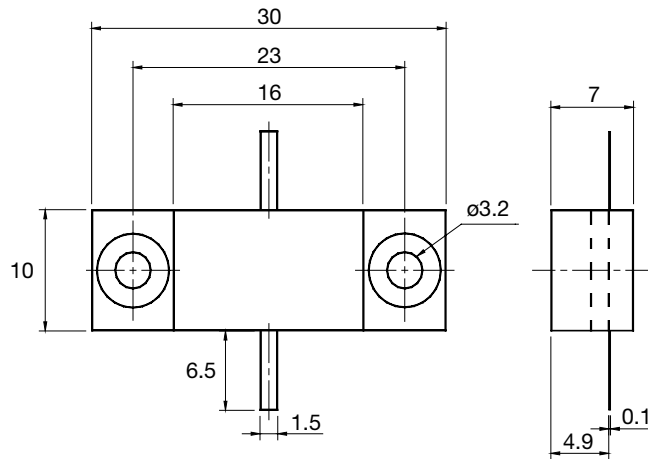
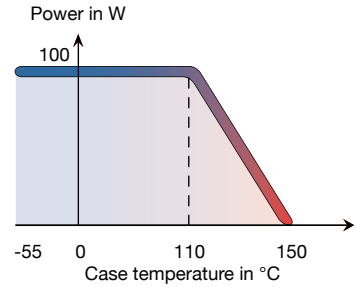


Standards
NF C 96-315
MIL-DTL-3933



Stripline Attenuators

Substrate	BeO
Resistive film	Thick film
Tab	Ag
Mounting flange/Plating	Cu/Ag
Cover substrate	Al ₂ O ₃
Size	11839



Dimensions in mm

[Return to Search by Part Number](#)

P/N	Attenuation* (dB)	Frequency (GHz)	Power (W)	Impedance ($\Omega \pm 5\%$)	Max VSWR	Accuracy $\pm \Delta\alpha$ (dB)
16-3297	1	2	100	50	1.25	0.3
16-6832	2	2	100	50	1.25	0.3
16-3298	3	2	100	50	1.25	0.3
16-3299	6	2	100	50	1.25	0.3
16-3300	10	2	100	50	1.25	0.5
16-6820	16	2	100	50	1.25	0.5
16-6574	30	2	40	50	1.25	1

mm	inch
0.1	0.004
1.5	0.059
3.2	0.126
3.8	0.152
4.9	0.193
6.5	0.256
7	0.276
10	0.394
16	0.630
23	0.906
30	1.181

* Others values on request

Search by Part Number



Part Number	Page
16-0311	L4
16-3297	L10
16-3298	L10
16-3299	L10
16-3300	L10
16-3602	L4
16-3789	L4
16-3790	L4
16-6515	L4
16-6516	L4
16-6517	L4
16-6574	L10
16-6592E	L7
16-6593E	L7
16-6594E	L7
16-6595E	L7
16-6596E	L7
16-6609	L3
16-6610	L3
16-6611	L3
16-6612	L3
16-6642	L3
16-6643	L3
16-6675	L3
16-6725	L8
16-6726	L8
16-6734E	L7
16-6735E	L7
16-6738	L5
16-6739	L5
16-6743	L5
16-6744	L5
16-6745	L5
16-6746	L5
16-6747	L3
16-6817	L6
16-6818	L6
16-6819	L6
16-6820	L10
16-6822	L6
16-6832	L10
16-6839	L8
16-6840	L8
16-6865	L8
16-6866	L8
16-6923	L9
16-6924	L9

