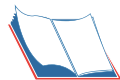
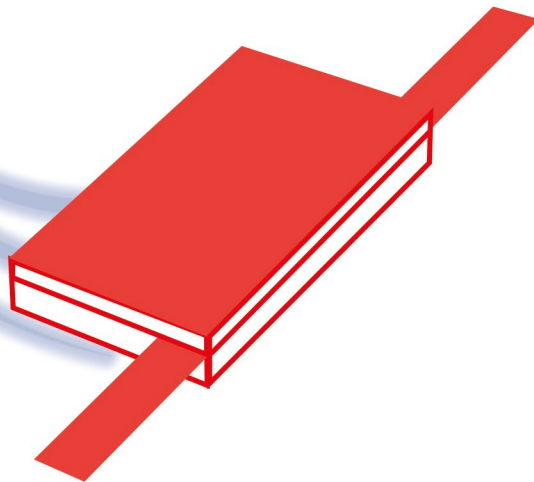


FLANGELESS ATTENUATORS



=> [Search by Part Number](#)

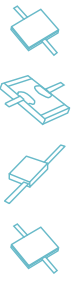
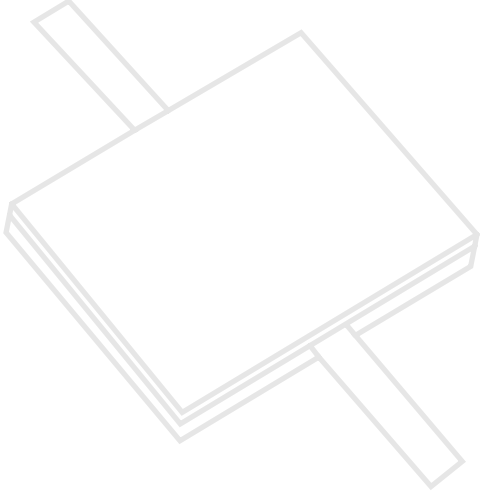
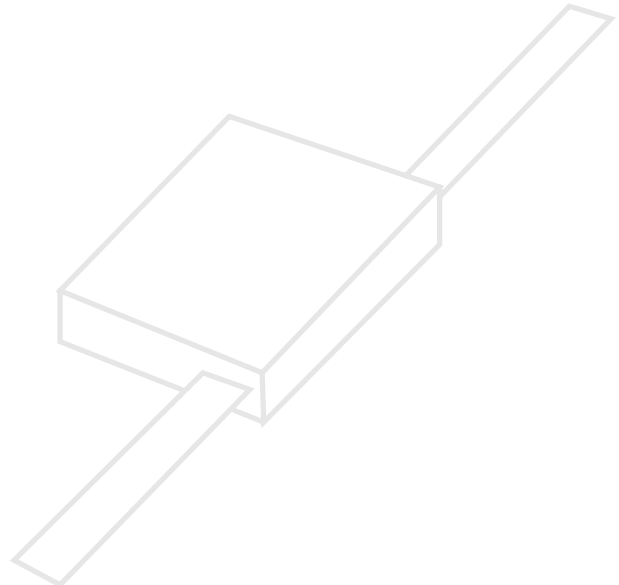
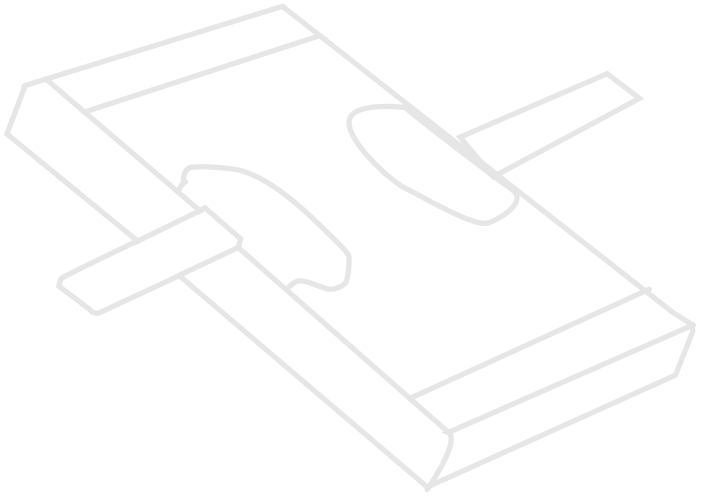
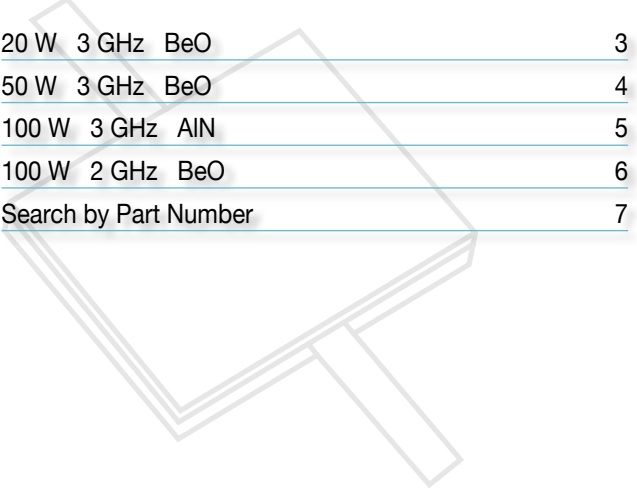




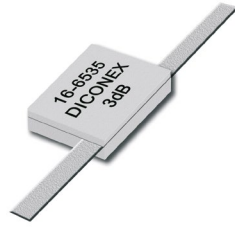
For Power Amplifiers, Dividers & Isolators

- ⇒ Easy soldering on base plate
- ⇒ Size 2525 to 6339
- ⇒ 20 to 100 W
- ⇒ Up to 3 GHz

20 W 3 GHz BeO	3
50 W 3 GHz BeO	4
100 W 3 GHz AlN	5
100 W 2 GHz BeO	6
Search by Part Number	7



20 W 3 GHz BeO

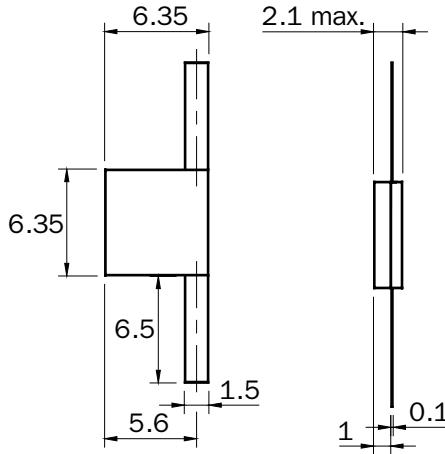
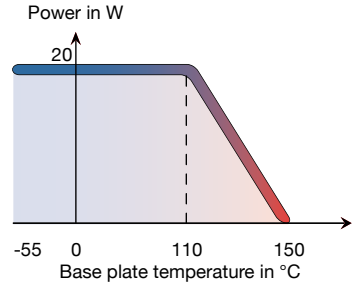


Standards
NF C 96-315
MIL-DTL-3933

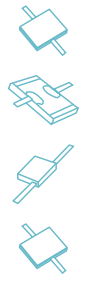


Flangeless Attenuators

Substrate	BeO
Resistive film	Thick film
Tab	Ag
Cover substrate	Al ₂ O ₃
Size	2525



Dimensions in mm



Return to Search by Part Number

P/N	Attenuation* (dB)	Frequency (GHz)	Power (W)	Impedance (Ω ± 5%)	Max VSWR	Accuracy ±Δα (dB)
16-6535	3	3	20	50	1.25	0.4
16-6591	5	3	20	50	1.25	0.4
16-6549	6	3	20	50	1.25	0.5
16-6536	10	3	20	50	1.25	1
16-6537	20	3	20	50	1.25	1.2

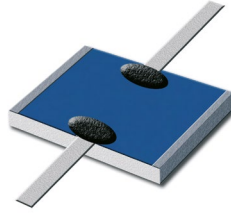
mm	inch
0.1	0.004
1	0.039
1.5	0.059
2.1	0.083
5.6	0.220
6.35	0.250
6.5	0.256

* Others values on request

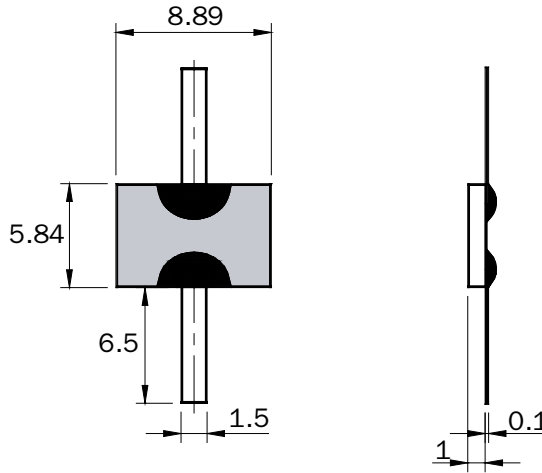
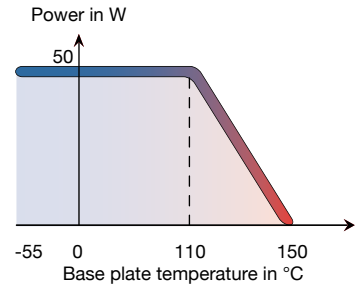
50 W 3 GHz BeO



Standards
NF C 96-315
MIL-DTL-3933



Substrate	BeO
Resistive film	Thick film
Tab	Ag
Tab attachment	Brazed with epoxy encapsulation
Protection film	Epoxy
Size	3523



Dimensions in mm

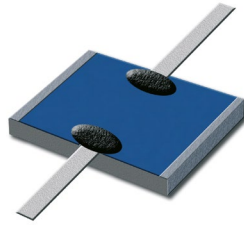
[Return to Search by Part Number](#)

P/N	Attenuation* (dB)	Frequency (GHz)	Power (W)	Impedance ($\Omega \pm 5\%$)	Max VSWR	Accuracy $\pm \Delta\alpha$ (dB)
16-6636E	3	3	50	50	1.25	0.6
16-6687E	5	3	50	50	1.25	0.6
16-6637E	6	3	50	50	1.25	0.6
16-6638E	10	3	50	50	1.25	0.6
16-6723E	15	3	50	50	1.25	1
16-6639E	20	3	50	50	1.25	1
16-6640E	30	3	50	50	1.25	1.2

mm	inch
0.1	0.004
1	0.039
1.5	0.059
5.84	0.230
6.5	0.256
8.89	0.350

* Others values on request

100 W 3 GHz AIN

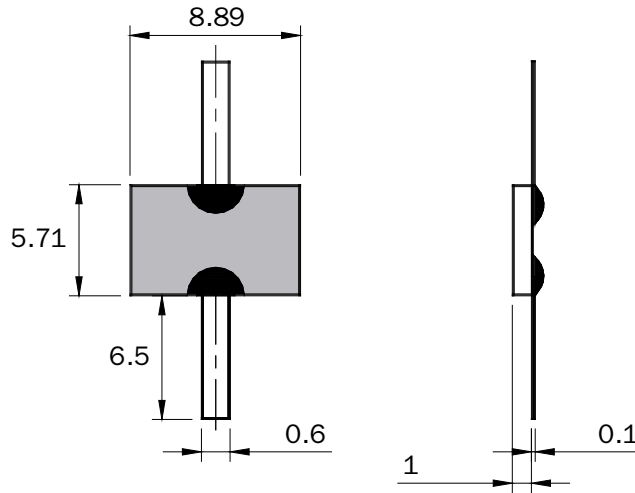
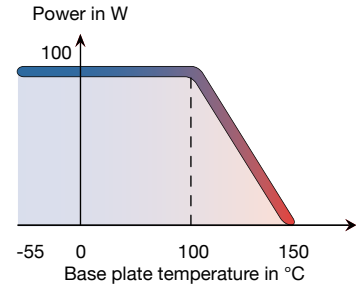


Standards
NF C 96-315
MIL-DTL-3933

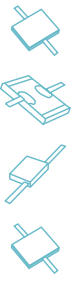


Flangeless Attenuators

Substrate	AIN
Resistive film	Thick film
Tab	Brass/Ag
Protection film	Epoxy
Tab Attachment	Brazed with epoxy encapsulation
Size	3523



Dimensions in mm



[Return to Search by Part Number](#)

P/N	Attenuation* (dB)	Frequency (GHz)	Power (W)	Impedance ($\Omega \pm 5\%$)	Max VSWR	Accuracy $\pm \Delta\alpha$ (dB)
16-6721	20	3	100	50	1.20	0.5
16-6722	30	3	100	50	1.20**	1.5

mm	inch
0.1	0.004
0.6	0.024
1	0.040
5.71	0.225
6.5	0.256
8.89	0.350

* Others values on request
** VSWR < 1.20 at 2.5 GHz

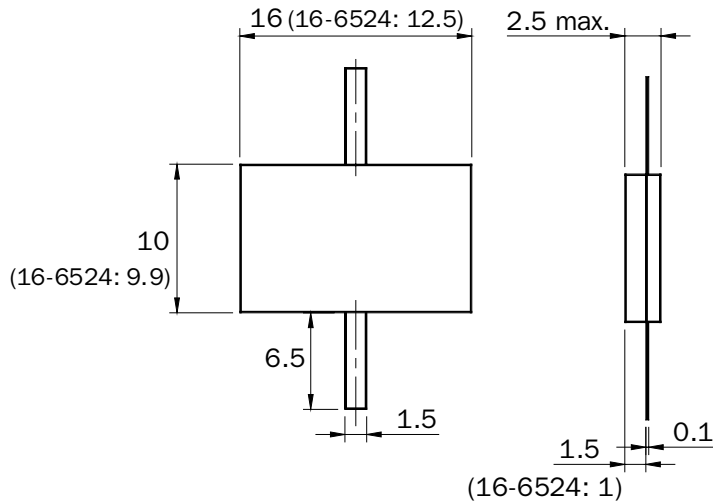
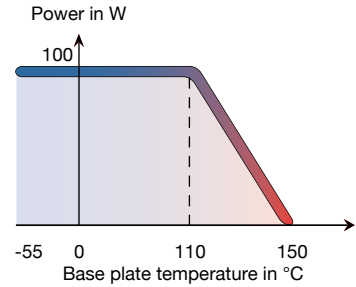
100 W 2 GHz BeO



Standards
NF C 96-315
MIL-DTL-3933



Substrate	BeO
Resistive film	Thick film
Tab	Ag
Cover substrate	Al ₂ O ₃
Size	6339



Dimensions in mm

Return to Search by Part Number

P/N	Attenuation* (dB)	Frequency (GHz)	Power (W)	Impedance ($\Omega \pm 5\%$)	Max VSWR	Accuracy $\pm \Delta\alpha$ (dB)
16-6521	3	2	100	50	1.25	0.3
16-6522	6	2	100	50	1.25	0.3
16-6523	10	2	100	50	1.25	0.5
16-6524	20	2	50	50	1.25	0.5
16-6525	30	2	40	50	1.25	1

mm	inch
0.1	0.004
1	0.039
1.5	0.059
2.5	0.098
6.5	0.256
9.9	0.390
10	0.394
12.5	0.492
16	0.630

* Others values on request



Search by Part Number

Part Number	Page
16-6521	K6
16-6522	K6
16-6523	K6
16-6524	K6
16-6525	K6
16-6535	K3
16-6536	K3
16-6537	K3
16-6549	K3
16-6591	K3
16-6636E	K4
16-6637E	K4
16-6638E	K4
16-6639E	K4
16-6640E	K4
16-6687E	K4
16-6721	K5
16-6722	K5
16-6723E	K4

