

# 1000 W 2.4 - 2.5 GHz BeO

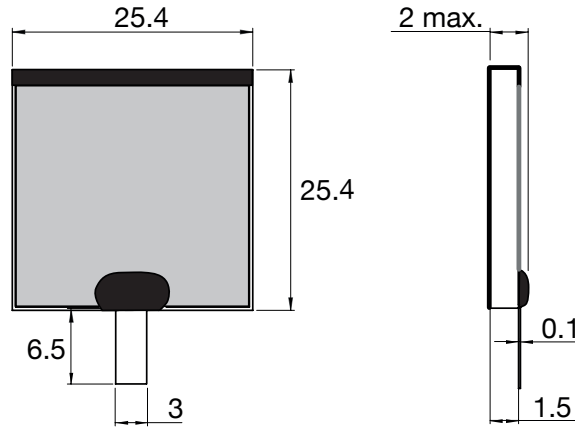
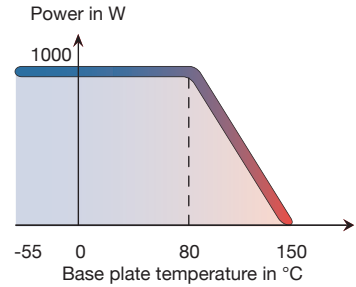


Standards  
NF C 96-315  
MIL-DTL-39030

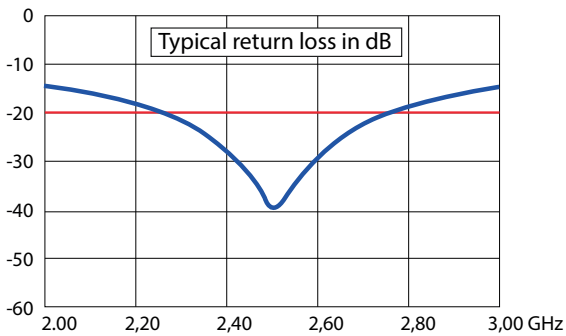


Substrate  
Resistive film  
Tab  
Protection film  
Tab attachment

BeO  
Thick film  
Brass/Ag  
Epoxy  
Brazed with encapsulation



Dimensions in mm



| P/N     | Frequency (GHz) | Power (W) | Impedance ( $\Omega \pm 5\%$ ) | Max VSWR | Size   |
|---------|-----------------|-----------|--------------------------------|----------|--------|
| 17-0853 | 2.4-2.5         | 1000*     | 50                             | 1.15     | 100100 |

| mm   | inch  |
|------|-------|
| 0.1  | 0.004 |
| 1.5  | 0.059 |
| 2    | 0.079 |
| 3    | 0.118 |
| 6.5  | 0.256 |
| 25.4 | 1     |

\* 1000 W power rating is given for 80 °C base plate temperature,  
Power rating falls to 800 W for 110 °C base plate temperature.

